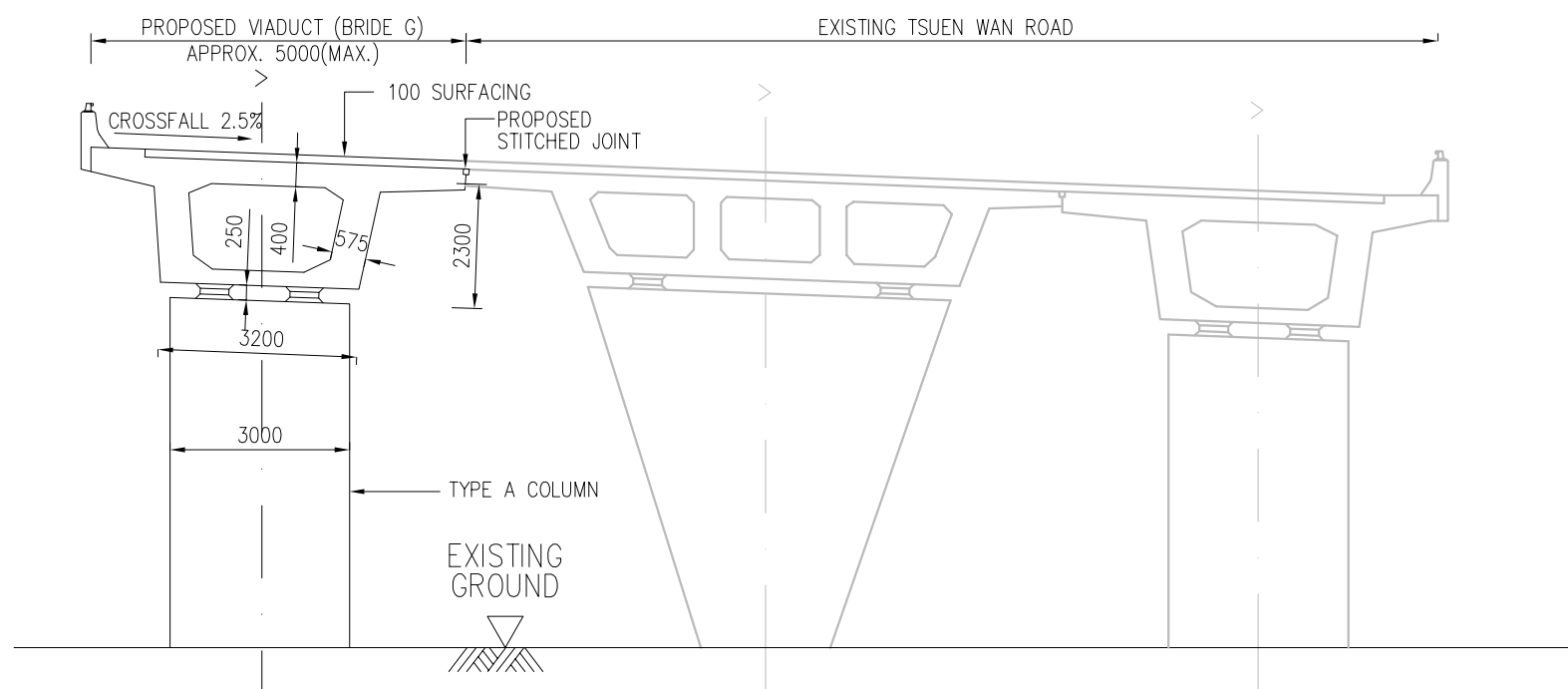
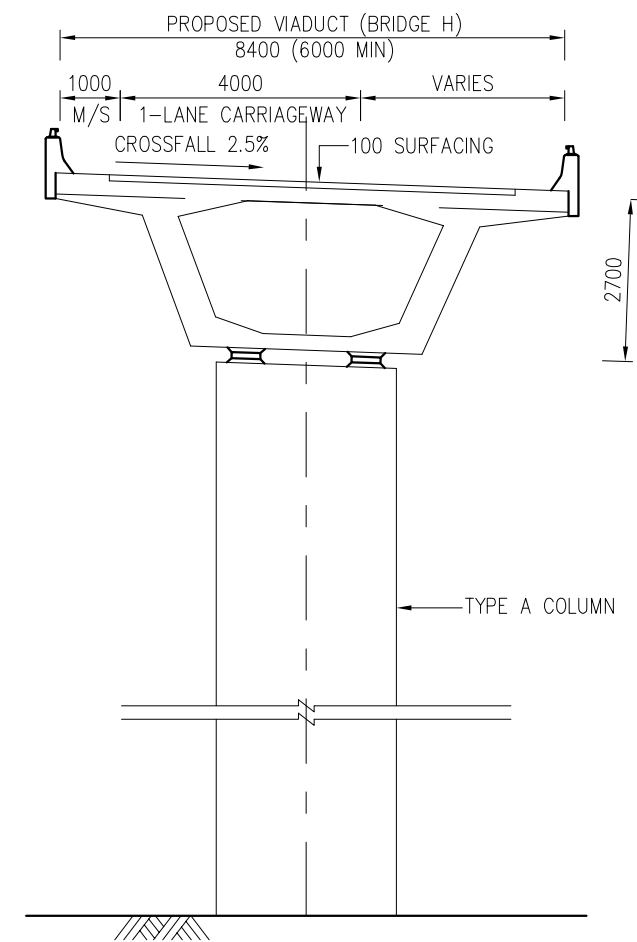


NOTES:

1. UNLESS OTHERWISE SPECIFIED,
ALL DIMENSIONS ARE IN
MILLIMETERS



SECTION 1-1
SCALE: NTS



SECTION 2-2
SCALE: NTS

Rev.	Date	Description	Drawn	Checked

土木工程拓展署
CEDD Civil Engineering and
Development Department

OFFICE: NEW TERRITORIES NORTH AND WEST
DEVELOPMENT OFFICE
AGREEMENT NO. CE 8/2012 (HY)
FLYOVER FROM KWAI TSING
INTERCHANGE UPRAMP TO
KWAI CHUNG ROAD - INVESTIGATION

**SECTIONS OF PROPOSED
ROAD WORKS**

Drawing No.		FIGURE 2.2				
Design	SL	Drawn	Checked	MSP	Scale	N.T.S.
Approved	ICWR	Date	29/08/14	Status		FINAL

